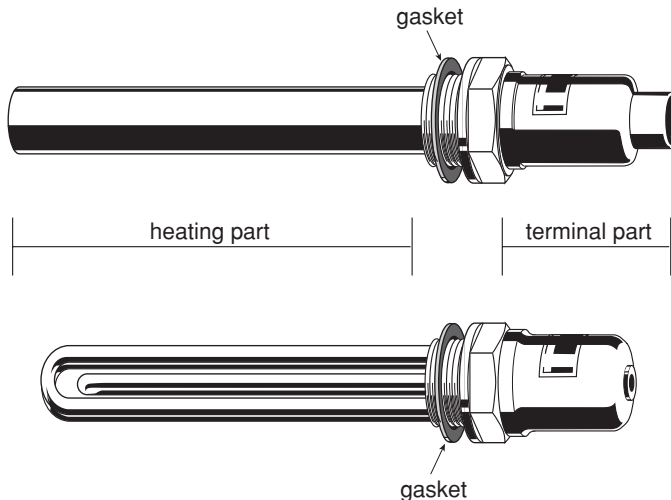


# Notice Instruction Manual on Usage

Please follow instructions herein  
for correct use

Please follow instructions herein for correct use.  
Keep this manual at convenient place for reminding.

## Heater for washing liquid Heater for medicine liquid



 **HAKKO ELECTRIC MACHINE WORKS CO., LTD.**

# Warning

- **Turn the switch off immediately whenever no liquid remains in a container.**

Keep putting the heater constantly in liquid, exposure of heater from liquid surface level will be cause of fire.



- **Fix certainly a power source cable with terminal.**

Fix without terminal might cause of electric leakage and electric shock.



- **For use of fixing socket to fix plug heater, please use a socket which has length that screw part comes out from socket when tightening.**

Covering heating part by socket might cause an empty-heating or early breaking of wire.



- **Set earth certainly with a container.**

Otherwise electric leakage and/or electric shock might be caused.



- **Do not put terminal part into liquid.**

Putting terminal part into liquid might cause an electric shock.



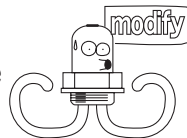
- **A container made of resin isn't allowed.**

Do not use other containers than of metals to avoid fire and electric shock.



- **Do not modify heaters.**

Modification of shape of heater might cause fire and electric leakage.



- **Do not use a container broken and leaked.**

Fix a heater before pouring liquid in a container, then pour water in a container. Thereafter please check water leakage from container. No-liquid in a container causes fire or electrical shock.



● **Do not use other liquids than organic solution.**

Heating other liquids than organic solution might cause a fire and an electric shock.



● **Please use with only the indicated power source voltage.**

Use with incorrect power source voltage might cause fire and electric shock. Be sure to check the voltage especially for the use in overseas.



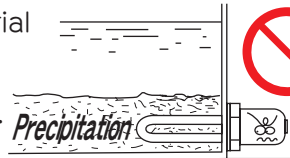
● **Do not use in the following cases to avoid fire and electric shock.**

Place a heater soak in precipitated material in liquid.

Additives on heater surface

Heater exposing from liquid surface level.

Use for bath heating.



 **Caution**

● **A heater shall be replaced after being switched off.**

A heater shall be replaced after switched off and drained liquid out.

Otherwise, it will cause an electric shock.



● **Use an auto liquid provider device.**

Switch off certainly for safety when being away a long time from the container without an auto liquid provider device.



● **Do not splash water and/or oil onto terminal cap.**

Keeping using a heater which terminal parts water or oil splashed cause an electric shock and leakage.



● **Do not touch terminal part of heater during switch-on.**

It will cause an electric shock.



# Caution

- Do not touch a heater with bare hands right after switching on for replacement of heater.

It might cause a burning.

Do not put a heater which was just taken out on flammable materials. It will cause fire.



## RECOMMENDATION

### ● Heater maintenance

Maintenance works shall be done under normal temperature without electricity.

Please eliminate any additive on the heater surface with a kind of plastic material.

Do not use metal materials, such as wire brush and etc.



### ● Maintenance for terminals

Maintenance works for terminals shall be taken after switch-off. A Vacuum cleaner shall be used for dust and etc. Clean with dry wiping is recommendable without water.



### ● Do not coat paste on gasket.

Paste on gasket might be cause of reduction of frictional force or strength of fixing, and be the cause of liquid leakage. Please use without any paste.



## AFTER-SALES SERVICE

### ● If any queries arise,

please contact the shop you purchased this product from or Hakko branch offices, sales offices or its affiliated companies in the attached list.

### HAKKO CO.,LTD. THERMAL DEVICE SALES DIVISION

Head office/ TOKYO BRANCH:

1-7-9 kamimeguro, Meguroku, Tokyo 153-0051 TEL.+81-3-3464-8500 FAX.+81-3-3464-8539

### HAKKO ELECTRIC MACHINE WORKS CO.,LTD (manufacturer)

Head Office: 3055 Ooaza Tokura Onsen, Chikuma City, Nagano 389-0807

Factory: 1486 Ooaza Isobe, Chikuma City, Nagano 389-0806

Company's website: <http://www.hakko.co.jp/>